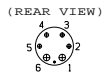
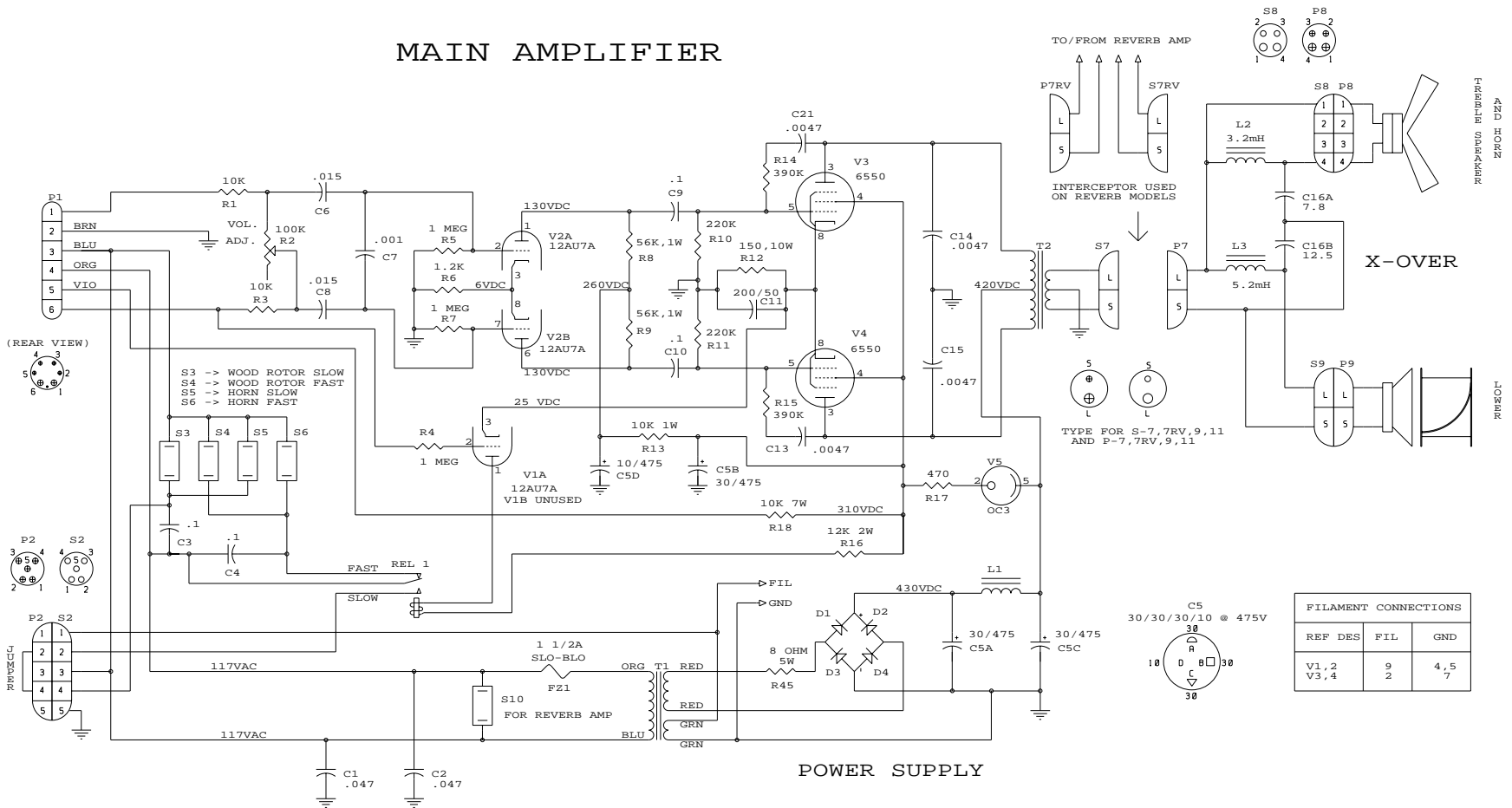
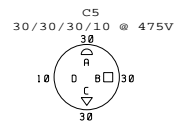


MAIN AMPLIFIER



- S3 -> WOOD ROTOR SLOW
- S4 -> WOOD ROTOR FAST
- S5 -> HORN SLOW
- S6 -> HORN FAST

FILAMENT CONNECTIONS			
REF DES	FIL	GND	
V1, 2	9	4, 5	
V3, 4	2	7	



Title		
117V TYPE 122 ROTOR AND REVERB AMPLIFIERS		
Size	Document Number	REV
B	-----	1.1
Date:	October 25, 1995	Sheet 1 of 2